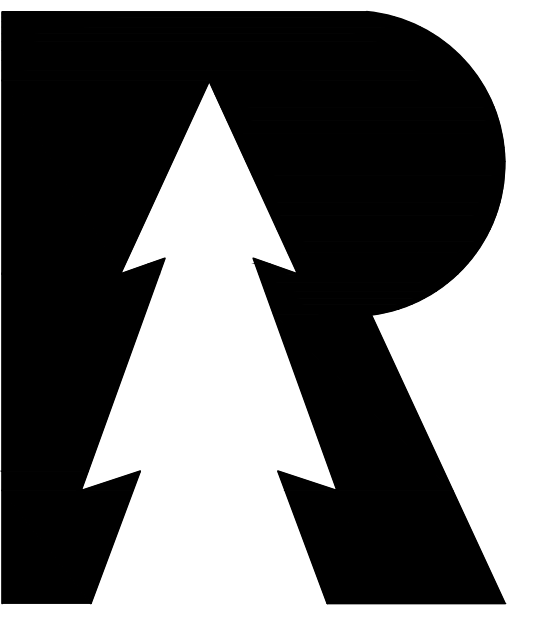


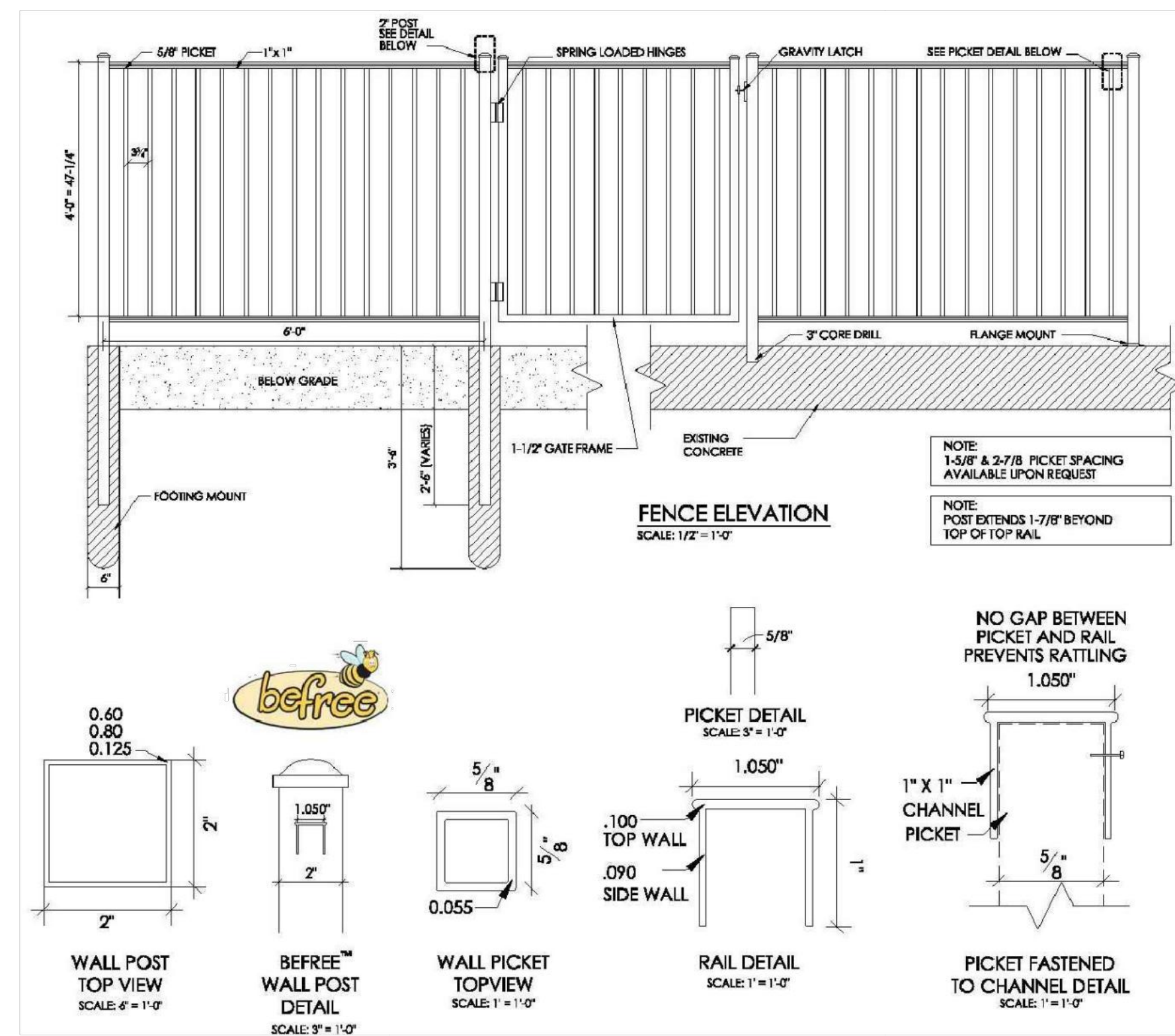
McGREEVY RESIDENCE



RDH Design Group

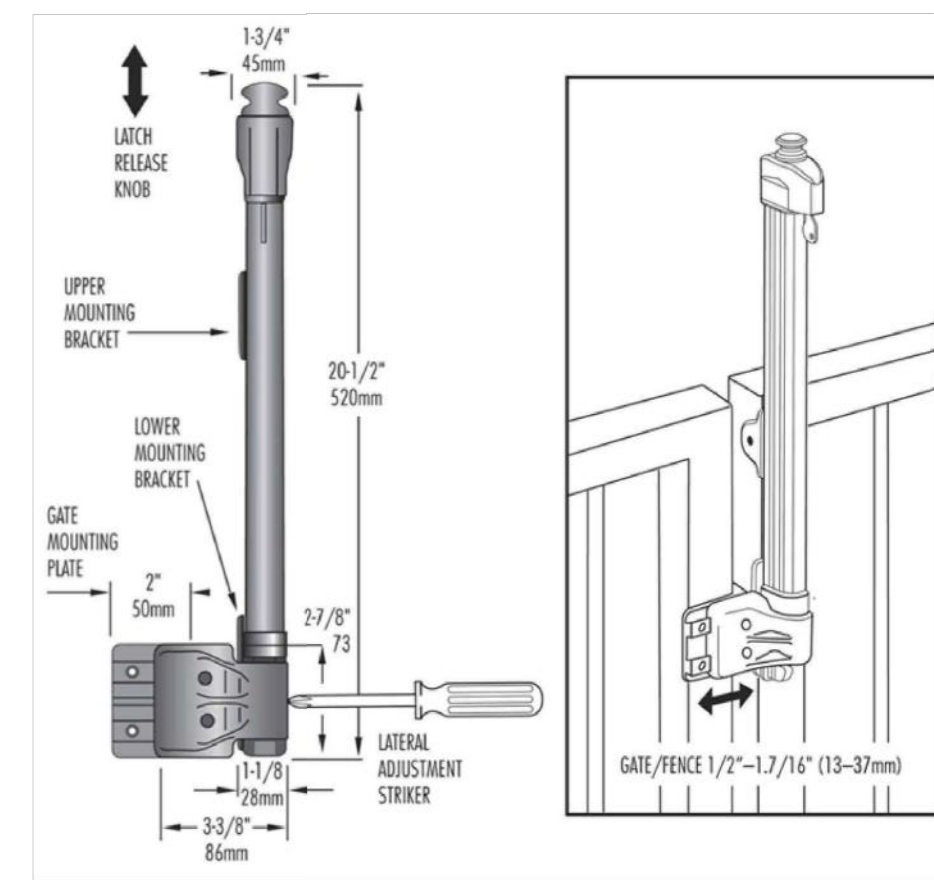
Landscape Architecture
Architecture
Project Management &
Engineering

14 Blackwell Avenue
Morris Township, NJ 07960
Phone: 973-270-8807
Fax: 973-490-7044
www.rdhdesigngroup.com
Bob@rdhdesigngroup.com



TYPICAL POOL FENCE DETAIL

NTS



TYPICAL POOL GATE LATCH DETAIL

NTS



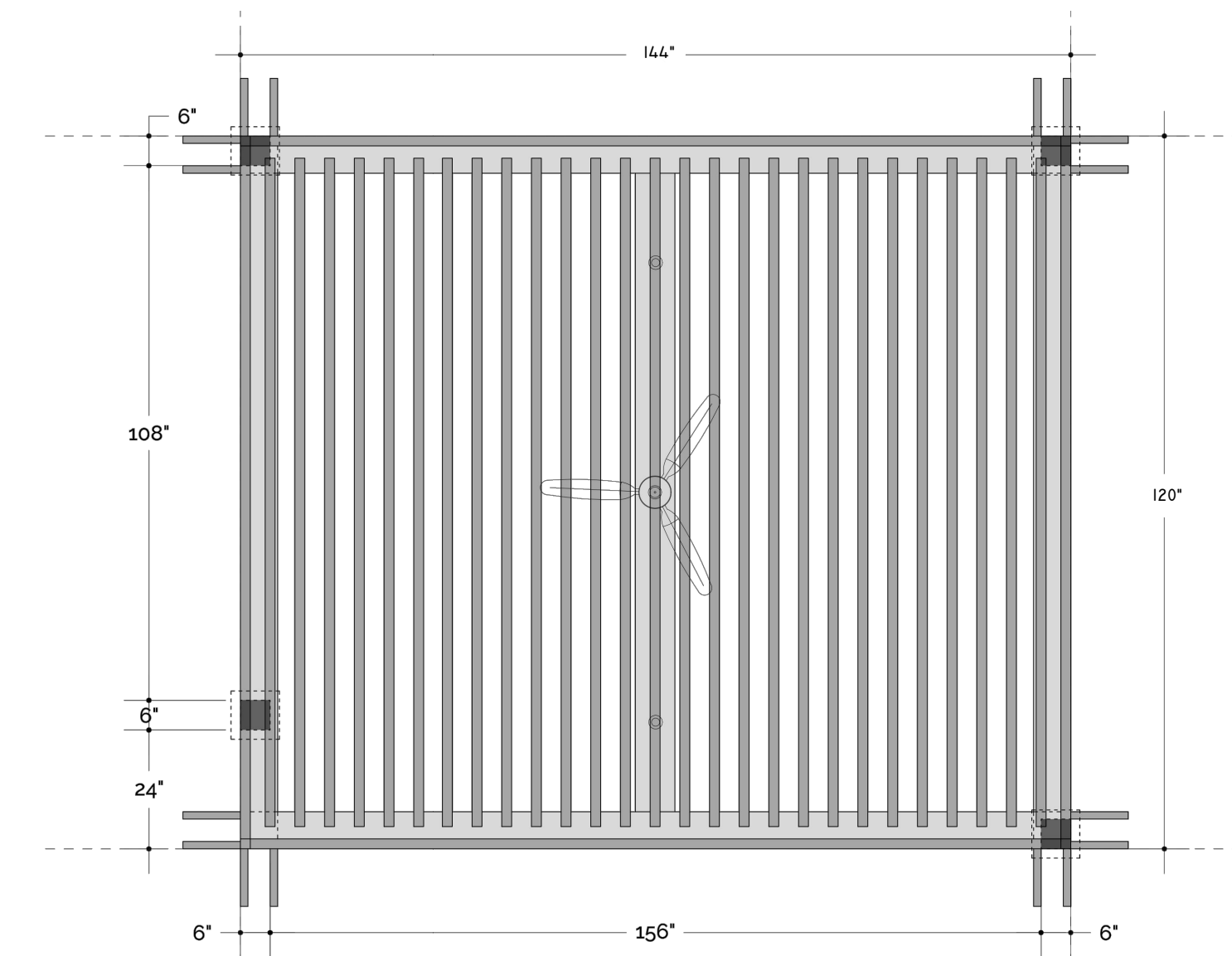
ADDITIONAL SAFETY:

Self-closing gate hinges with a Hinge Safety Cap. The cap prevents toddlers from using the hinge top as a foothold.

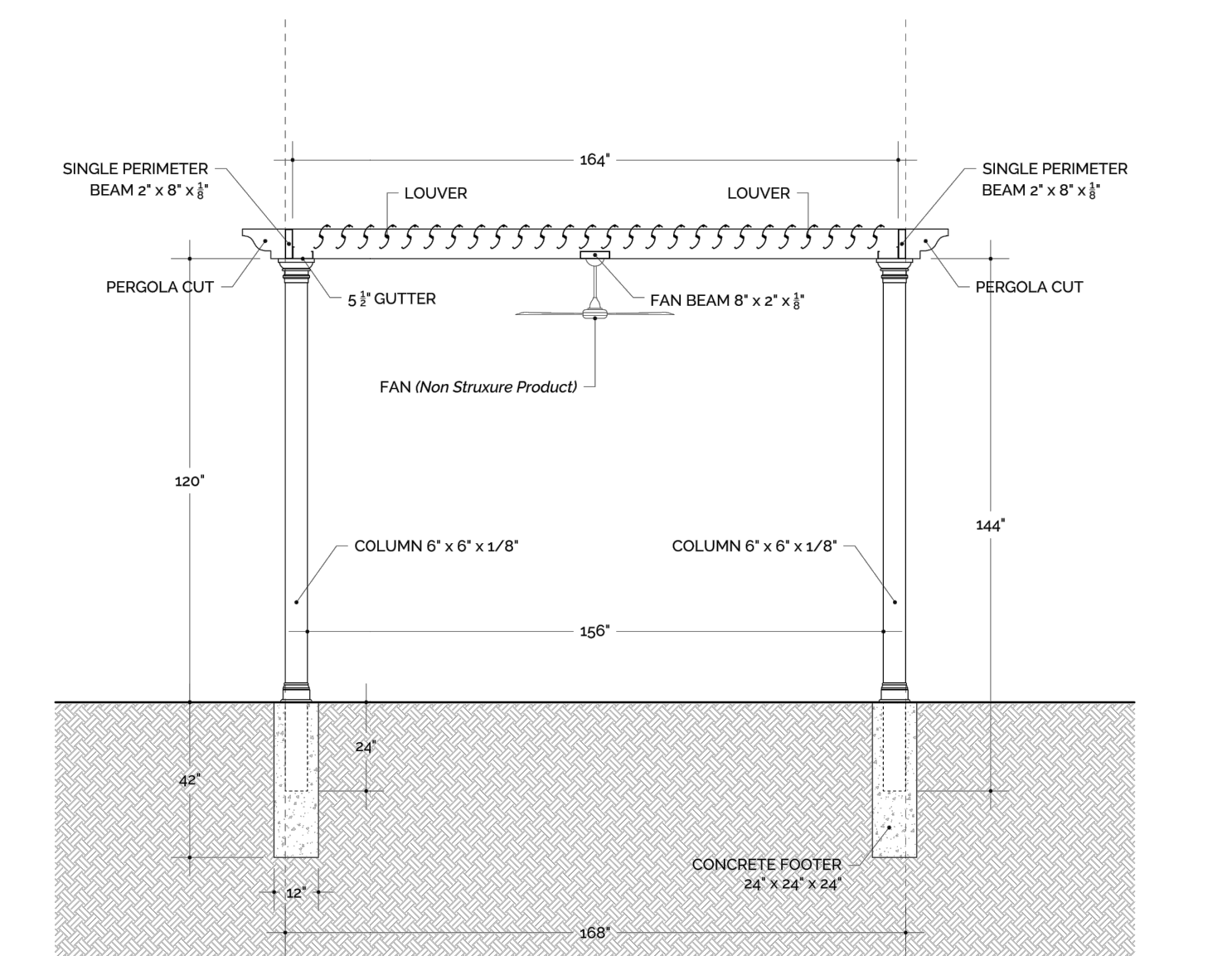
INSTALLATION REQUIREMENTS
(Top Pull & Vertical Pull models)

For swimming pool and other child safety gates, most Barrier Codes and Standards specify the following requirements:

- The pool gate must open outward, away from the pool, so the latch must be installed on the outside of the gate.
- The latch release knob is to be mounted at least 54" or 60" (1370 or 1500mm) above finished ground - or at a height specified by your local community Codes.
- The fence height should be minimum 48" (1200mm) above finished ground - or at a height specified by your local barrier/fencing codes.

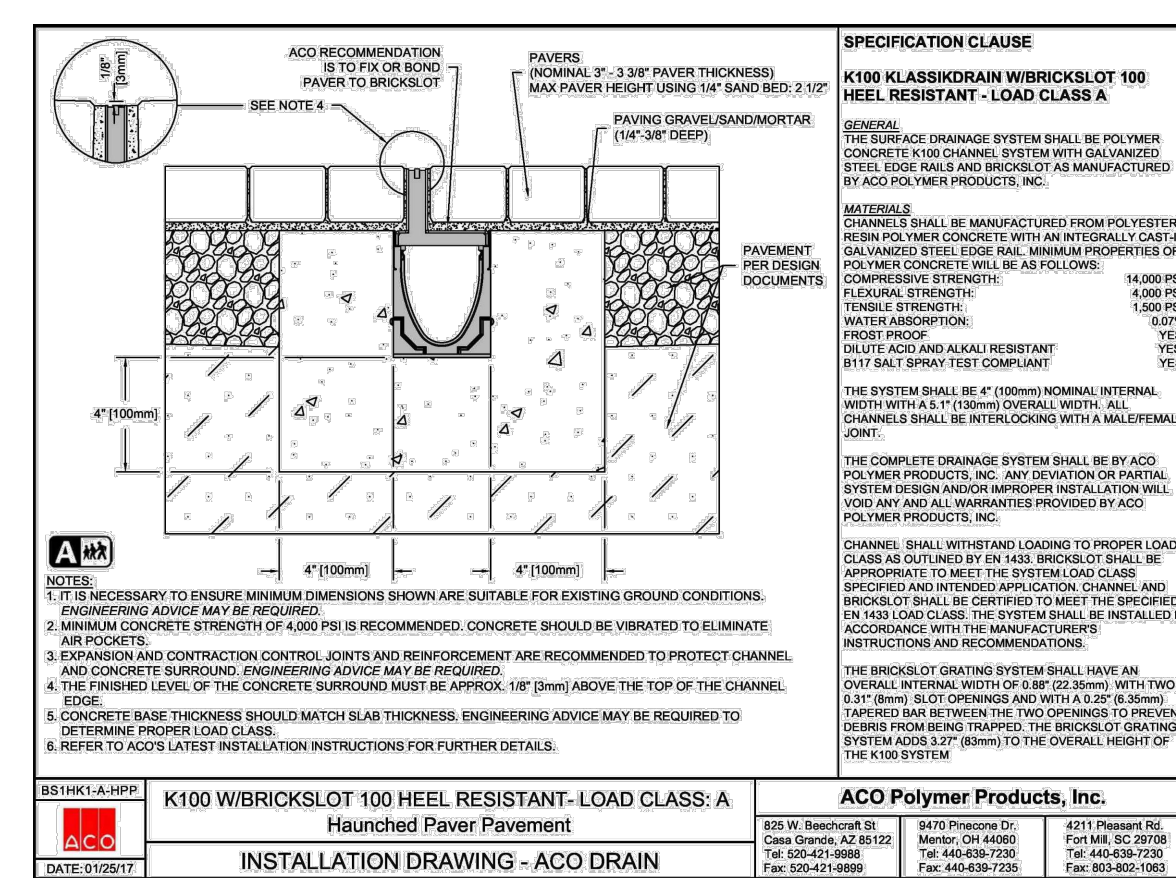


PERGOLA TOP VIEW DETAIL



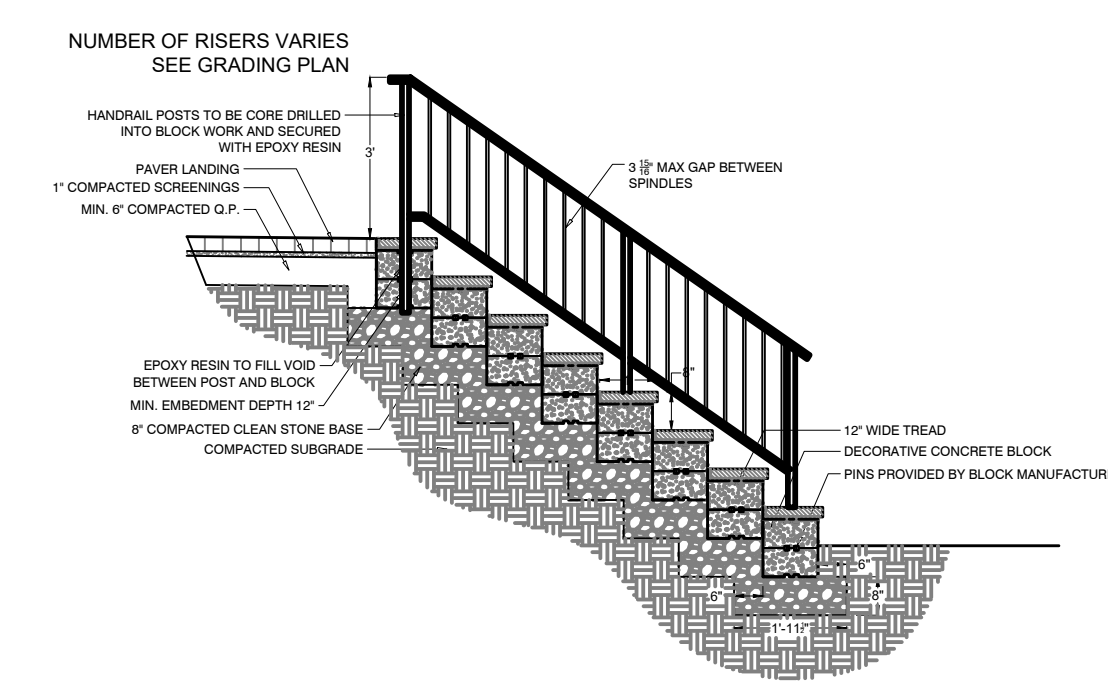
PERGOLA SECTION VIEW DETAIL

NTS



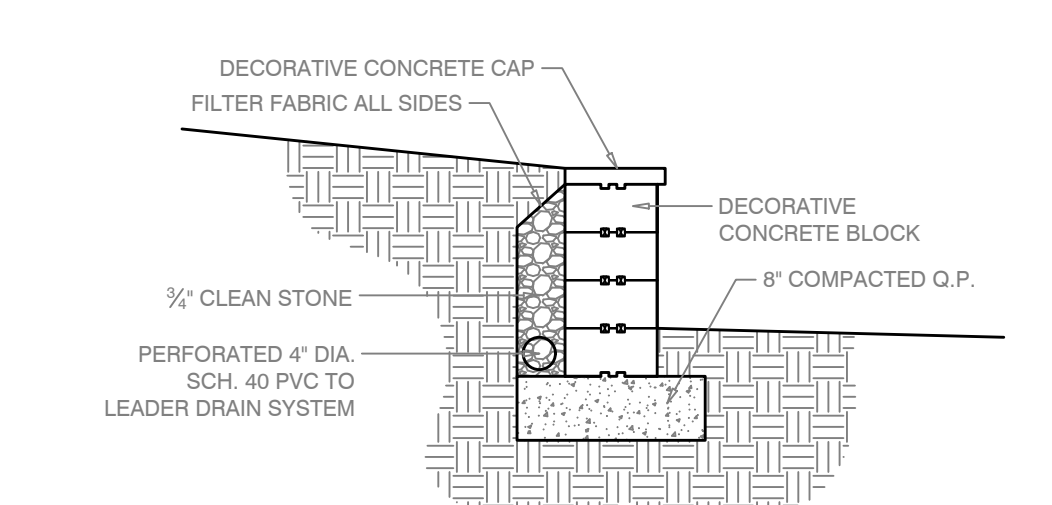
TRENCH DRAIN DETAIL

NOT TO SCALE



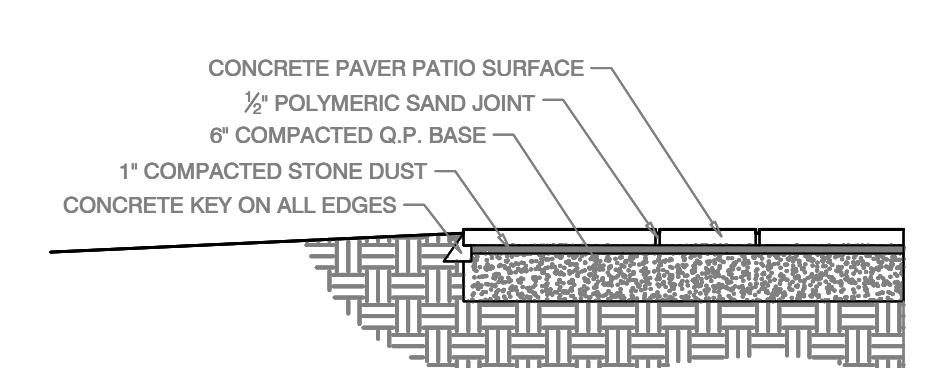
DRYLAID BLOCK STEPS WITH RAILING DETAIL

NOT TO SCALE



DECORATIVE CONCRETE BLOCK DETAIL

SCALE: 1/2" = 1' - 00"



PATIO DETAIL

NTS

ISSUE			
NO.	DATE	DESCRIPTION	INT.
1	9/27/23	ORIGINAL DOCUMENT	NS

REVISION			
NO.	DATE	DESCRIPTION	INT.
1	10/19/23	PERMIT SUBMISSION	NS
1	12/6/23	REVISION	NS
3	4/9/24	REVISION PER ZBA COMMENTS	NS

LOT 25 BLOCK 2303
McGREEVY RESIDENCE
29 DEERFIELD DRIVE
BOROUGH OF FLORHAM PARK
MORRIS COUNTY
NEW JERSEY

Project Number:	Scale:
Drawn By: NS	1" = 10' - 00"
Approved By: RH	
Drawing Name:	DETAILS

Drawing Number:	DI.0
Author:	BRIAN M. HOARLE
License:	NJ. PE. LIC. #43521